

Premium Duty Spring Retractable Reels

Air/Water/Oil/Grease - 1/4", 3/8", 1/2" I.D.

- Compact for a wide range of applications with critical space requirements
- Robotically welded steel base offers maximum strength and consistent quality
- All steel components are powder coated
- Inlet hose is plumbed into the base to eliminate the risk of stress on the swivel
- Reels include a speed latch mechanism that uses a cam and disc for quiet operation
- Guide arm adjusts to two positions for maximum corrosion resistance



5635 OLP



5650 OLP

See operating instructions for optimum mounting configuration.

Additional Series 5000 / 5005 Models

- Enclosed Reels** - Page 11
- Twin Hydraulic** - Page 17
- Pre-Rinse/Potable** - Page 18
- Stainless Steel** - Page 19
- Cord Reels** - Page 28-29
- Welding Gas** - Page 32-33

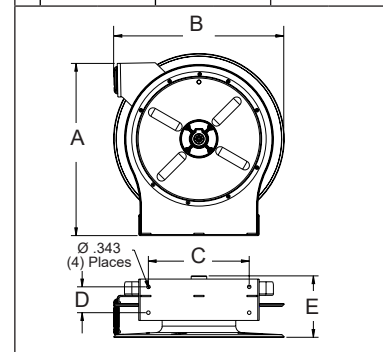


Models with a ★ icon are our most popular models.

Model with hose & bumper	Shipping Weight		Hose I.D.		Hose O.D.		Hose Length		Max Pressure		NPT(M) Hose Outlet	NPT(F) Reel Inlet	NPT(F) Reel Outlet	Size Index #				
	lbs	kg	in	mm	in	mm	ft	m	psi	bar	in	in	in					
Low Pressure Air/Water Reels											Maximum Temperature 150 °F (65 °C)				Max working pressure is at 70 °F (20 °C)			
5450 OLP	26	12	1/4	6	.475	12	50	15	300	21	1/4	3/8	1/4	1				
5635 OLP	25	11	3/8	10	.600	15	35	11	300	21	1/4	3/8	1/4	1				
5650 OLP ★	36	16	3/8	10	.600	15	50	15	300	21	1/4	3/8	1/4	2				
5650 OLPSMR	36	16	3/8	10	.600	15	50	15	300	21	1/4	3/8	1/4	*				
A5825 OLP	27	12	1/2	13	.750	19	25	8	300	21	1/2	3/8	1/2	1				
A5835 OLP	39	18	1/2	13	.750	19	35	11	300	21	3/8	3/8	1/2	2				
A5850 OLP ★	41	19	1/2	13	.750	19	50	15	300	21	1/2	3/8	1/2	3				
Medium Pressure Oil Reels											Maximum Temperature 210 °F (99 °C)							
5630 OMP	31	14	3/8	10	.690	18	30	9	2600	179	3/8	3/8	3/8	1				
A5835 OMP	42	19	1/2	13	.820	21	35	11	3000	207	1/2	3/8	1/2	2				

Low pressure reels supplied with PVC hose. Medium pressure reels supplied with S.A.E. 100R1-AT (3/8") or S.A.E. 100R17 (1/2") one wire braid hose. *Side mount configuration; visit reelcraft.com for dimensions.

	Dimensions					
	1		2		3	
	in	mm	in	mm	in	mm
A	14 ³ / ₈	365	17 ⁵ / ₈	448	17 ⁵ / ₈	448
B	13 ³ / ₄	349	16 ³ / ₄	425	16 ³ / ₄	425
C	9 ³ / ₄	248	9 ³ / ₄	248	9 ³ / ₄	248
D	2 ¹ / ₂	64	2 ¹ / ₂	64	2 ¹ / ₂	64
E	6 ¹ / ₈	156	5 ⁷ / ₈	149	7 ¹ / ₄	184



Model without hose & bumper	Shipping Weight		Hose Capacity				Max Pressure	NPT(F) Reel Inlet	NPT(F) Reel Outlet	Size Index #			
	lbs	kg	I.D.		Length								
Low Pressure Air/Water Reels													
Maximum Temperature 210 °F (99 °C)													
5400 OLP	20	9	1/4	6	.475	12	50	15	500	35	3/8	1/4	1
5600 OLP	21	10	3/8	10	.600	15	35	11	500	35	3/8	1/4	1
5605 OLP	21	10	3/8	10	.600	15	50	15	500	35	3/8	1/4	2
A5800 OLP	22	10	1/2	13	.750	19	25	8	500	35	3/8	1/2	1
A5806 OLP	35	16	1/2	13	.750	19	50	15	500	35	3/8	1/2	3
Medium Pressure Oil Reels													
Maximum Temperature 210 °F (99 °C)													
5400 OMP	23	10	1/4	6	.530	13	35	11	3000	207	3/8	3/8	1
5600 OMP	24	11	3/8	10	.690	18	30	9	3000	207	3/8	3/8	1
High Pressure Grease Reels													
Maximum Temperature 210 °F (99 °C)													
5400 OHP	23	10	1/4	6	.580	15	30	9	5000	345	1/4	1/4	1



Interactive Reel Catalog

Visit reelcraft.com/catalog for complete product specifications, available parts, and accessories.



Pivot Bases & Swing Brackets

See page 39